

NACE



CRN



**MEETS NACE
STANDARD
MR0175**



**Hardness Factor
Meets NACE
Standard**

Description

Winters' NACE gauges are designed for oil and gas applications. The NACE gauge meets the National Association of Corrosion Engineering (NACE) standards for oil and gas applications. This application specific pressure gauge can withstand Hydrogen Sulfide stress, corrosion and cracking.

The NACE gauge is available with a 4" dial, back or bottom mount with 316 stainless steel internals and ranges from vacuum to 20,000 psi.

The Winters NACE pressure gauge is CRN registered.

Specifications

Dial:	4" (100mm), white aluminum dials with black and red markings two screws fitted to gauge
Case:	304 Stainless Steel, liquid filled standard
Lens:	Laminated safety glass lens, Safety glass mark shown on case
Ring:	304 Stainless Steel, bayonet ring
Pointer:	Aluminum, micro-adjustment
Socket:	316 Stainless Steel, (Bottom connection is welded to case)
Connection:	1/4" NPT and 1/2" NPT standard
Bourdon Tube:	316 Stainless Steel
Movement:	Stainless Steel
Fill Liquid:	Glycerin filled / H ₂ O
Ambient / Process Temperature:	-40°F to 150°F (-40°C-65°C) - dry, 14°F to 150°F (-10°C-65°C) - filled
Heat Annealing:	Under HRC22
Accuracy:	1% ANSI/ASME Grade 1A
Protection:	IP65



Corporate Office: 121 Railside Road • Toronto • ON • M3A 1B2 • (416) 444-2345 • Fax: (416) 444-8979

U.S.A. Office: 600 Ensminger Road • Buffalo • NY • 14150 • (716) 874-8700 • Fax: (716) 874-8800

www.winters.com • 1-800-WINTERS (946-8377)

NACE

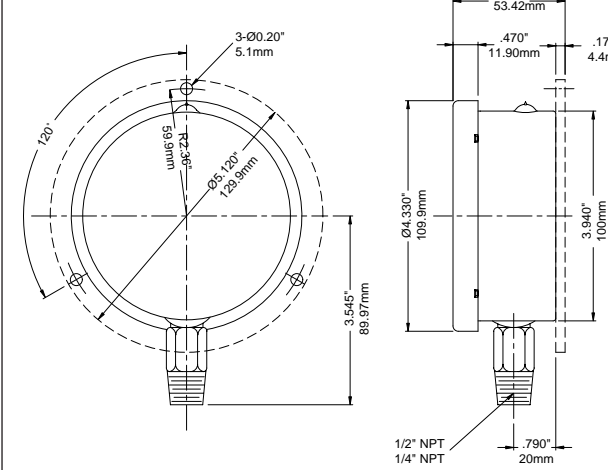
How to order: Specify product code PRODUCT CODES

Dial Size	4" (100mm)			
Connection	Bottom	Back	Bottom	Back
NPT Connection	1/4"	1/4"	1/2"	1/2"
Movement socket, tube	St/St	St/St	St/St	St/St
Glycerin Filled	Filled	Filled	Filled	Filled
30" Hg Vacuum/kPa	P640N	P1090N	P655N	*
30"-0-15 psi/kPa	P1036N	*	P1044N	*
30"-0-30 psi/kPa	P1037N	*	P1045N	*
30"-0-60 psi/kPa	P1038N	*	P1046N	*
30"-0-100 psi/kPa	P1039N	*	P1047N	*
30"-0-150 psi/kPa	P1040N	*	P1048N	*
30"-0-200 psi/kPa	P1042N	*	P1050N	*
30"-0-300 psi/kPa	P1043N	*	P1051N	*
0-15 psi/kPa	P641N	P1091N	P656N	*
0-30 psi/kPa	P642N	P1092N	P657N	*
0-60 psi/kPa	P643N	P1093N	P658N	*
0-100 psi/kPa	P644N	P1094N	P659N	*
0-160 psi/kPa	P645N	P1095N	P660N	*
0-200 psi/kPa	P646N	P1096N	P661N	*
0-300 psi/kPa	P647N	P1097N	P662N	*
0-400 psi/kPa	P650N	*	P666N	*
0-600 psi/kPa	P648N	P1098N	P663N	*
0-1000 psi/kPa	P649N	P1099N	P664N	*
0-1500 psi/kPa	*	*	P665N	P1190N
0-2000 psi/kPa	*	*	P667N	P1191N
0-3000 psi/kPa	*	*	P668N	P1192N
0-5000 psi/kPa	*	*	P669N	P1193N
0-10000 psi/kPa	*	*	P670N	P1194N
0-15000 psi/kPa	*	*	P671N	P1195N
0-20000 psi/kPa	*	*	P672N	P1196N

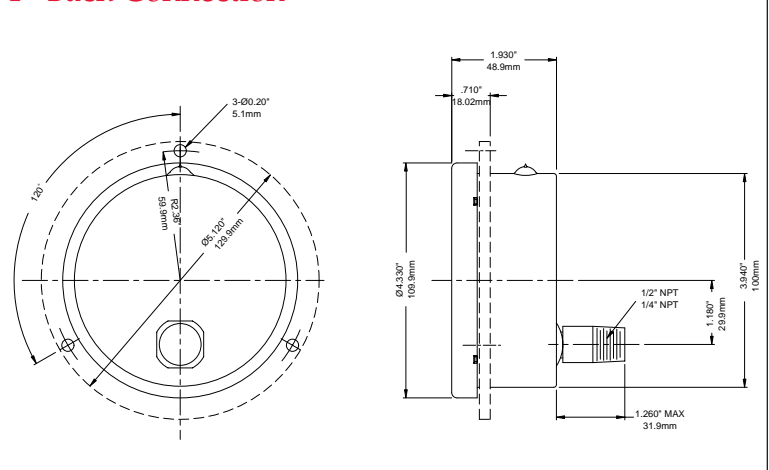
Options:

- 4 DRY = Supply above gauge less liquid fill
- 4UC = 4" (100mm) U-Clamp
- 4FF = 4" (100mm) Front Flange
- 4BF = 4" (100mm) Back Flange
- Custom dials
- Custom connections

4" Bottom Connection



4" Back Connection



Corporate Office: 121 Railside Road • Toronto • ON • M3A 1B2 • (416) 444-2345 • Fax: (416) 444-8979

U.S.A. Office: 600 Ensminger Road • Buffalo • NY • 14150 • (716) 874-8700 • Fax: (716) 874-8800

www.winters.com • 1-800-WINTERS (946-8377)