

**TITAN**

## DUPLEX STRAINER • THREADED AND FLANGED

### Class 150 lb • CARBON STEEL & STAINLESS STEEL



3" DS 692-CS

**Size Range: 3/4" ~ 4"**

Models: DS 592-CS (Carbon)  
 DS 592-SS (Stainless)  
 (Threaded Ends)

DS 692-CS (Carbon)  
 DS 692-SS (Stainless)  
 (Flanged Ends)

#### WORKING PRESSURES & TEMPERATURE - NON-SHOCK

ANSI 150 lb Class	DS 592/691-CS/SS
WOG (Water, Oil, Gas)	200 PSI @ 150 °F
Saturated Steam	Not Recommended
MAX Liquid	200 PSI @ 150 °F

### Features:

- HIGHLY DYNAMIC BALL SEALING SYSTEM (PATENT PENDING) ENSURES LONG SEAT LIFE AND POSITIVE SEALING.
- LOW TORQUE, EASY TO OPERATE HANDLE THAT DOES NOT REQUIRE A GEARBOX
- LOW MAINTENANCE SEAT AND STEM SEALS GUARD AGAINST POSSIBLE LEAKAGE WHILE PROVIDING IMPROVED SERVICE LIFE
- EQUIPPED WITH FOOT PADS TO ENSURE A SECURE, RELIABLE INSTALLATION
- DRAIN PLUGS ARE PROVIDED ON THE SIDE AND BOTTOM OF EACH BASKET CHAMBER
- VENT IS ALSO PROVIDED ON THE TOP OF THE STRAINER BODY
- NO-HASSLE STRAINER DESIGN ALLOWS BASKET CLEANING OPERATIONS TO BE PERFORMED QUICKLY AND EASILY - NO SPECIAL TOOLS ARE REQUIRED
- COMPACT, LOW PROFILE DESIGN CAPABLE OF BEING INSTALLED IN APPLICATIONS THAT HAVE LIMITED OR RESTRICTED SPACE - STILL UTILIZES FULL-SIZED STRAINER BASKETS
- ANSI 150 LB BRONZE AND ANSI 125 CAST IRON UNITS ARE ALSO AVAILABLE

*Ideal Design for Industrial and Commercial Applications  
 with Non-Interruptible Flow Requirements*



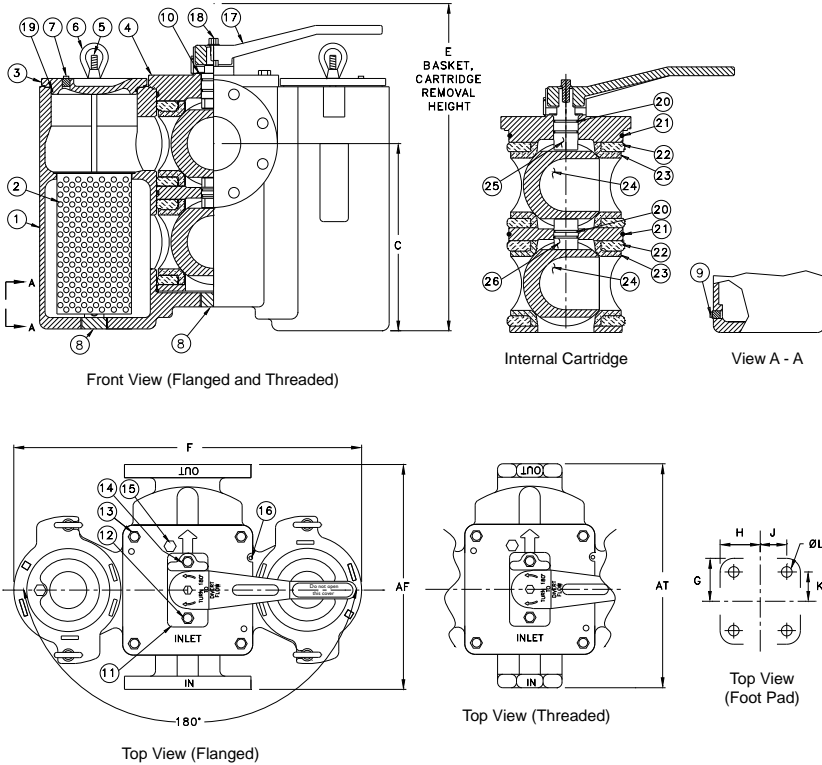
**TITAN FLOW CONTROL**

290 Corporate Drive  
Lumberton, NC 28358  
Tel: 910-735-0000 Fax: 910-735-3848  
titan@titanfci.com www.titanfci.com

**DUPLEX STRAINER**

**DS 592-CS** Carbon Threaded Ends  
**DS 592-SS** Stainless Threaded Ends  
**DS 692-CS** Carbon Flanged Ends  
**DS 692-SS** Stainless Flanged Ends

**ANSI Class 150 lb**



BILL OF MATERIALS				
No.	PART	DS 592/692-CS <sup>(1)</sup>	DS 592/692-SS <sup>(1)</sup>	QTY
1	Body	C.S. - A216 WCB	S.S. - A351 CF8M	1
2	Basket	T-316 Stainless Steel	T-316 Stainless Steel	2
3	Cover	C.S. - A216 WCB	S.S. - A351 CF8M	2
4	Cartridge	C.S. - A216 WCB	S.S. - A351 CF8M	1
5	Stud	Carbon Steel	Carbon Steel	4
6	Eyebolt	Carbon Steel	Carbon Steel	4
7,8,9	Pipe Plug	Carbon Steel	Stainless Steel	2,3,2
10	Washer	Stainless Steel	Stainless Steel	1
11	Stem Retainer	Stainless Steel	Stainless Steel	1
12,13,14	Cap Screw	Carbon Steel	Carbon Steel	1,4,1
15	Vent Valve	Brass	Stainless Steel	1
16	Pin	Carbon Steel	Carbon Steel	1
17	Handle	D.I. / C.S.	D.I. / C.S.	1
18	Cap Screw	Carbon Steel	Carbon Steel	1
19,20,21	O-ring	Buna-N	Viton	2,4,2
22	Seal	Buna-N	Viton	4
23	Seat	Teflon	Teflon	4
24	Ball	Stainless Steel	Stainless Steel	2
25,26	Stem	Stainless Steel	Stainless Steel	1,1

*\*Recommended spare parts*

**DIMENSIONS: (2)**

SIZE <sup>(3)</sup>	in	3/4 <sup>(4)</sup>	1	1 1/4 <sup>(4)</sup>	1 1/2	2	2 1/2 <sup>(5)</sup>	3 <sup>(6)</sup>	4 <sup>(6)</sup>
AF DIMENSION FLANGED FACE-TO-FACE	in	---	6.88	---	9.38	10.63	---	13.50	16.00
	mm	---	175	---	238	270	---	343	406
AT DIMENSION THREADED FACE-TO-FACE	in	5.50	5.50	7.50	7.50	10.00	---	---	---
	mm	140	140	190	190	254	---	---	---
C DIMENSION CTR. LINE TO BOTTOM	in	5.00	5.00	6.81	6.81	8.38	---	8.88	13.25
	mm	127	127	173	173	213	---	226	337
E DIMENSION SCREEN REMOVAL	in	13.38	13.38	17.00	17.00	21.75	---	26.50	33.00
	mm	340	340	432	432	552	---	673	838
F DIMENSION WIDTH	in	10.50	10.50	13.25	13.25	17.38	---	22.75	24.75
	mm	268	268	330	330	441	---	578	629
G DIMENSION FOOT PAD	in	3.25	3.25	3.25	3.25	4.69	---	4.69	5.19
	mm	83	83	83	83	119	---	119	132
H DIMENSION FOOT PAD	in	2.13	2.13	2.13	2.13	2.50	---	2.50	3.94
	mm	54	54	54	54	64	---	64	100
J DIMENSION FOOT PAD	in	1.63	1.63	1.63	1.63	1.81	---	1.81	3.25
	mm	41	41	41	41	46	---	46	83
K DIMENSION FOOT PAD	in	2.75	2.75	2.75	2.75	4.00	---	4.00	4.50
	mm	70	70	70	70	102	---	102	114
L DIMENSION FOOT PAD	in	.375	.375	.375	.375	.625	---	.625	.625
	mm	10	10	10	10	16	---	16	16
WEIGHT FLANGED	lb	---	42	---	90	167	---	285	389
	kg	---	19	---	41	76	---	129	177
WEIGHT THREADED	lb	37	37	80	80	157	---	---	---
	kg	17	17	36	36	71	---	---	---
Flow Coefficient <sup>(8)</sup>	C <sub>v</sub>	13	14	19	24	42	---	105	180

**STANDARD SCREEN SELECTIONS**

Sizes	Water Service	Open Area	Steam	Open Area
3/4" ~ 4"	1/16 (.0625)	37 %	Not Recommended	

A wide range of optional materials, wire mesh, perforated screens and magnetic assemblies are available.

**WORKING PRESSURES & TEMPERATURE - NON-SHOCK**

ANSI 150 lb Class	<b>DS 592/692-CS/SS</b>
WOG (Water, Oil, Gas) <sup>(7)</sup>	200 PSI @ 150 °F

**APPLICABLE STANDARDS**

Steel - Pipe Flanges	ASME/ANSI B16.5
Steel - Threaded Fittings	ASME/ANSI B16.11

**Design and Applications Notes:**

- Bronze and cast iron units are also available.
- Dimensions are for reference only. When required, request certified drawings.
- Larger sizes are (5" ~ 8") are available. Please consult factory for pricing and delivery.
- Flanged units are not available in 3/4" or 1 1/4".
- Size 2 1/2" not available in carbon or stainless steel.
- Threaded units are not available in 3" or 4".
- Duplex Strainers are not recommended for steam service.
- Flow Coefficient shown is only for clean, perforated baskets.

Ordering Code: \_\_\_\_\_ Size: \_\_\_\_\_  
 Customer/Project: \_\_\_\_\_  
 Inq./P.O. No.: \_\_\_\_\_  
 Titan Order No.: \_\_\_\_\_  
 Certified By: \_\_\_\_\_ Date: \_\_\_\_\_

**Engineering Specification Submittal**

Titan FCI makes every effort to ensure the information presented on our literature accurately reflects exact product specifications. However, as changes occur, there may short-term differences between actual product specifications and the data on our literature. Titan FCI reserves the right to make specification changes to improve our products without prior notification.

**DUPLEX STRAINER • DS 592-CS/SS & DS 692-CS/SS**

Size	Model Number	Description	Drawing No.