

spirax/sarco®

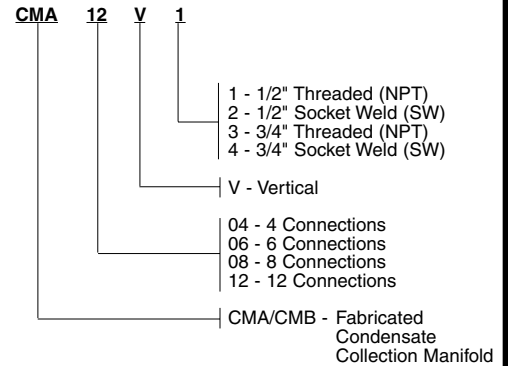


Vertical Condensate Collection Manifold — Fabricated

The CMAV condensate collection manifold is a fabricated assembly designed for vertical installation to facilitate centralized recovery of condensate from up to 12 sources. Condensate is collected within the shell and discharged through the top via an internal siphon pipe. The water seal created by the siphon tube promotes even temperature distribution and ensures single phase discharge of condensate. The compact design provides easy access for trap maintenance and monitoring, while the mounting and connection arrangement permits fast installation.

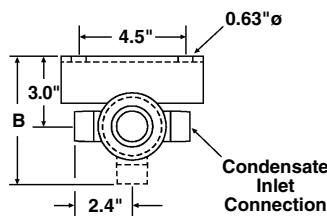
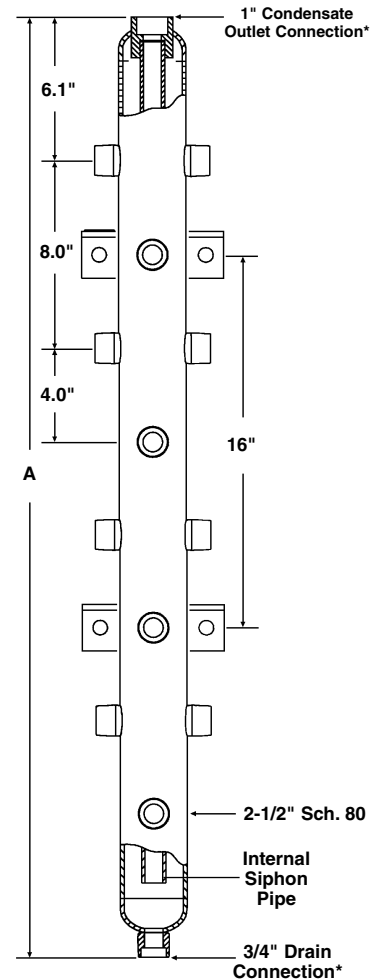
Model ⇄	CMAV
PMA	720 psig at 508°F (50 barg at 264°C)
Hydrotest Pressure	1,080 psig (74 barg)
Number of Connections	4, 6, 8, 12
Connection Sizes	1/2", 3/4"
Connection Types	NPT, SW to ANSI B16.11 Cl. 3000
Construction	Carbon Steel ASTM A106 Gr.B Sch. 80 Forged Steel A105 Cl.3000 All welding in accordance with Section IX of the ASME Boiler and Pressure Vessel Code
Options	Without mounting brackets Preassembled with steam trap stations

MANIFOLD NOMENCLATURE



DIMENSIONS (NOMINAL) IN INCHES AND MILLIMETERS

Model Number	Tracer Connections		A	B	Approx. Weight
	Number	Size			
CMA04V1/V2	4	1/2"	24.3 617	No Front Connection	25 lb 11 kg
CMA04V3/V4	4	3/4"	24.3 617	No Front Connection	25 lb 11 kg
CMA06V1/V2	6	1/2"	24.3 617	5.4 137	25 lb 11 kg
CMA06V3/V4	6	3/4"	24.3 617	5.4 137	25 lb 11 kg
CMA08V1/V2	8	1/2"	40.3 1024	No Front Connection	40 lb 18 kg
CMA08V3/V4	8	3/4"	40.3 1024	No Front Connection	40 lb 18 kg
CMA12V1/V2	12	1/2"	40.3 1024	5.4 137	40 lb 18 kg
CMA12V3/V4	12	3/4"	40.3 1024	5.4 137	40 lb 18 kg
CMB12V1/V2	12	1/2"	56.3 1430	No Front Connection	56 lb 25 kg
CMB2V3/V4	12	3/4"	56.3 1430	No Front Connection	56 lb 25 kg



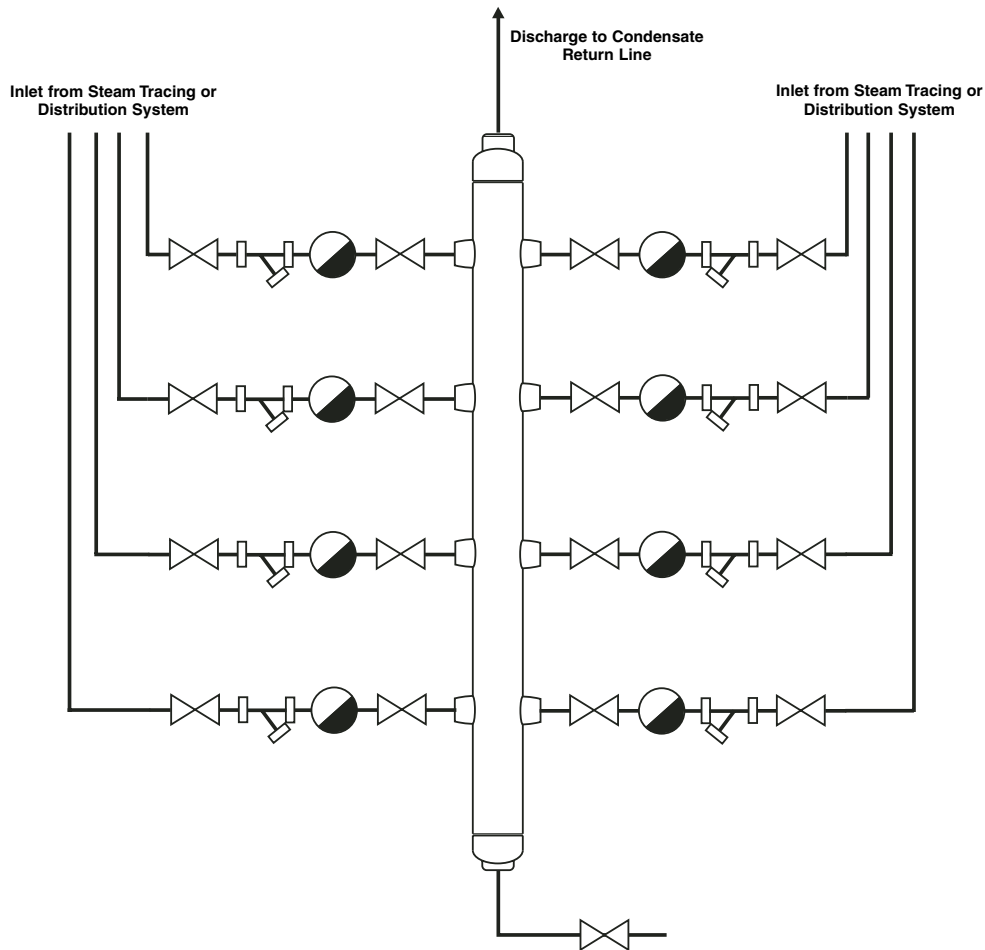
*Same type (NPT or SW) as tracer connections.

CMA12V Shown

Local regulation may restrict the use of this product below the conditions quoted. Limiting conditions refer to standard connections only. In the interests of development and improvement of the product, we reserve the right to change the specification.

Vertical Condensate Collection Manifold Fabricated

TYPICAL HOOK-UP FOR 8 CONNECTION MANIFOLD



SAMPLE SPECIFICATION

The condensate collection manifold shall be Spirax Sarco model CMA12V designed for vertical orientation to accommodate up to 12 condensate sources.

CONSTRUCTION FEATURES

The unit shall include an internal siphon pipe designed to provide a water seal at all condensate loads to ensure single phase discharge and even temperature distribution. The assembly shall have a 1" discharge connection at the top and a 3/4" drain connection that permits complete drainage during maintenance. Support brackets are to be provided for fast installation. Connections shall be provided on up to 3 sides and spaced to accommodate any valve orientation without interference from adjoining piping. The design is to be compact enough such that all traps and other connected equipment are within easy reach for servicing. Construction shall consist of ASTM A106 Gr. B carbon steel 2-1/2" Sch. 80 pipe with ANSI Cl. 3000 connections. Welding is to be performed in accordance with Section IX of the ASME Boiler & Pressure Vessel Code. The assembly shall be hydrostatically tested to 1.5 times design pressure, sandblasted, and provided with one coat industrial heat resistant coating (grey) maximum temperature 850°F.

INSTALLATION

The manifold is to be installed vertically with the condensate discharge connection at the top as shown. Isolation valves, steam traps, strainers, and other required equipment are attached on up to 3 sides at the connections provided. Mounting is accomplished using the brackets supplied on the back side of the unit. For outdoor installations, a freeze protection device fitted to the 3/4" drain connection is recommended.

OPTIONS

Each manifold can be supplied with a wide selection of valves, traps, and other equipment as a completely fabricated and tested assembly. Consult factory for specific applications.

TYPICAL APPLICATIONS

The manifold can be utilized wherever multiple sources of condensate from steam traps need to be centrally collected in a vertical orientation. This includes steam tracing, light condensate-producing equipment, separators, and steam main drips.