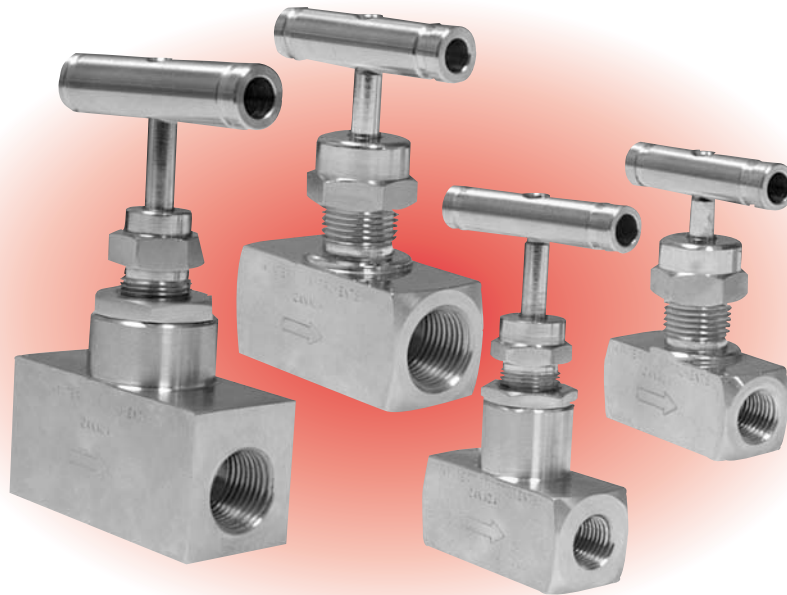


Stainless Steel Needle Valve



Description

Winters Stainless Steel Needle Valve construction provides corrosion resistance, has excellent flow regulation and is leak tight. The one piece body construction (no welding) provides high strength and full safety. This instrument has slow opening which prevents sudden pressure surge and instrument damage.

The Needle Valves are available in Soft Seat (up to 6,000 psi, Delrin Seat) and Hard Seat (up to 10,000 psi, Metal Seat). Hard Seat Needle Valves are also available with a Carbon Steel construction.

Common applications include refineries, liquid petroleum gas, processing plant systems difficult to shut off due to solid contents such as dust, rust, dirt, etc.

Soft Seat Needle Valve 6,000 psi Temperature Rating: -20°F - 250°F (-29°C - 121°C)		
Product Code	Material	NPT Connection
ANV25SFFS	Stainless Steel	1/4" Female x 1/4" Female
ANV5SFFS	Stainless Steel	1/2" Female x 1/2" Female
ANV25SMFS	Stainless Steel	1/4" Male x 1/4" Female
ANV5SMFS	Stainless Steel	1/2" Male x 1/2" Female
Hard Seat Needle Valve 10,000 psi Temperature Rating: -65°F - 200°F (-50°C - 93°C)		
Product Code	Material	NPT Connection
ANV25SFFH	Stainless Steel	1/4" Female x 1/4" Female
ANV5SFFH	Stainless Steel	1/2" Female x 1/2" Female
ANV25SMFH	Stainless Steel	1/4" Male x 1/4" Female
ANV5SMFH	Stainless Steel	1/2" Male x 1/2" Female
ANV25CFFH	Carbon Steel	1/4" Female x 1/4" Female
ANV5CFFH	Carbon Steel	1/2" Female x 1/2" Female
ANV25CMFH	Carbon Steel	1/4" Male x 1/4" Female
ANV5CMFH	Carbon Steel	1/2" Male x 1/2" Female

- Other configurations available
- Needle Valves can be supplied to meet current revision of MR-01-75 NACE (Sour gas service)
- Graphoil packaging for high temperature applications available.



Corporate Office: 121 Railside Road • Toronto • ON • M3A 1B2 • (416) 444-2345 • Fax: (416) 444-8979

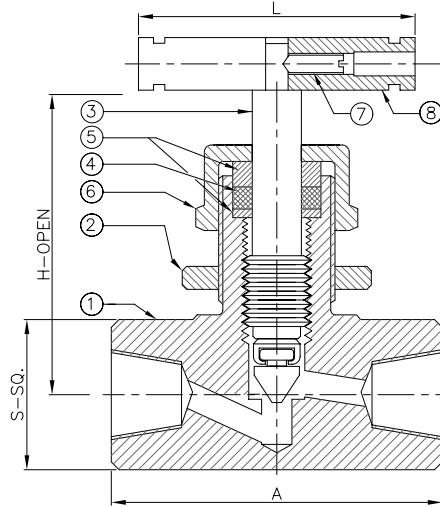
U.S.A. Office: 600 Ensminger Road • Buffalo • NY • 14150 • (716) 874-8700 • Fax: (716) 874-8800

www.winters.com • 1-800-WINTERS (946-8377)

Stainless Steel Needle Valve

Soft Seat Stainless Steel Needle Valve

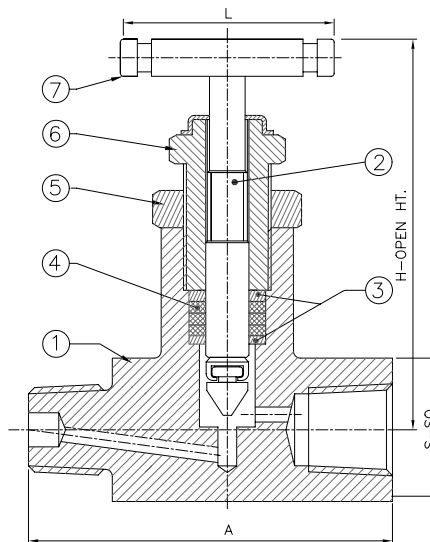
Drawing Number	Description	Material
1	Body:	AISI 316 stainless steel
2	Panel Nut:	AISI 316 stainless steel
3	Stem:	AISI 316 stainless steel
4	Packing:	Teflon
5	Washer:	AISI 316 stainless steel
6	Gland Nut:	AISI 316 stainless steel
7	Grub Screw:	Steel Plated
8	Handle:	AISI 304 stainless steel
	Seat Material:	Delrin



Size	A	S-SQ	H-Open	L
1/4"	1.95" (50mm)	0.86" (22mm)	2.69" (69mm)	1.95" (50mm)
1/2"	2.65" (68mm)	1.17" (30mm)	3.23" (83mm)	2.34" (60mm)

Hard Seat Stainless Steel Needle Valve

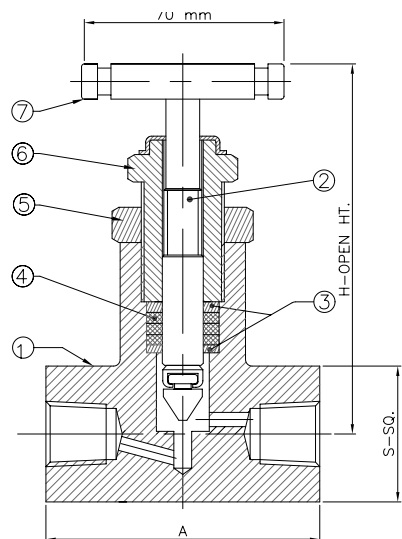
Drawing Number	Description	Material
1	Body:	AISI 316 stainless steel
2	Stem:	AISI 316 stainless steel - Stellited V Tip
3	Packing Washer:	AISI 316 stainless steel
4	Gland Packing:	AISI 316 stainless steel
5	Lock Nut:	AISI 316 stainless steel
6	Gland Retainer:	AISI 316 stainless steel
7	Handle:	AISI 304 stainless steel
7	Dust Cover:	Plastic
	Seat Material:	Metal



Size	A	S-SQ	H-Open HT	L
1/4"	2.36" (60mm)	0.98" (25mm)	3.35" (86mm)	2.36" (60mm)
1/2"	3.23" (82mm)	1.33" (34mm)	3.82" (98mm)	2.73" (70mm)

Carbon Steel Needle Valve

Drawing Number	Description	Material
1	Body:	Carbon Steel
2	Stem:	AISI 316 stainless steel - Stellited V Tip
3	Packing Washer:	AISI 316 stainless steel
4	Gland Packing:	Glass Filled PTFE
5	Lock Nut:	Carbon Steel
6	Gland Retainer:	Carbon Steel
7	Handle:	Aluminum Black Anodized
7	Dust Cover:	Plastic
	Seat Material:	Metal



Size	A	S-SQ	H-Open HT	A
1/4"	2.15" (55mm)	0.98" (25mm)	3.35" (86mm)	2.36" (60mm)
1/2"	2.93" (75mm)	1.33" (34mm)	3.82" (98mm)	2.73" (70mm)



Corporate Office: 121 Railside Road • Toronto, ON, M3A 1B2 • 416-444-2345 • Fax: 416 444 8979

U.S.A. Office: 600 Ensminger Road • Buffalo, NY, 14150 • 716 874 8700 • Fax: 716-874-8800

www.winters.com • 1-800-WINTERS (946-8377)